

SONY

**Car Stereo
Service Bulletin**

Sony Service Company Technical Services
A Division of Sony Corporation of America
Sony Drive, Park Ridge, New Jersey 07656

Model: CDX-A30RF

No. 168

Subject: Spikes On ACC Line Cause
Misoperation

Date: April 26, 1990

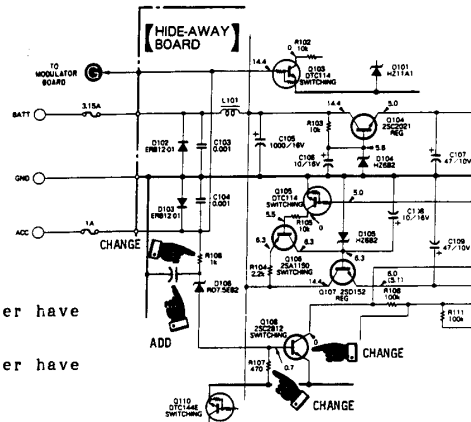
Symptom:
(25)

Unit mutes when lights, wipers, or fan are turned on.

Cause: The ACC line varies due to spikes caused by switching.

Solution: Change the following parts:

| | Description | | | |
|--------|-------------|---------|----------|--------------|
| | Ref. No. | Former | New | Part Number |
| Change | Q108 | 2SC2812 | DTC144EK | 8-729-901-01 |
| | R106 | 1k Ohm | 2.2k Ohm | 1-216-057-00 |
| | R107 | 470 Ohm | 22k Ohm | 1-216-081-00 |
| Add | ---- | ----- | 10u/16V | 1-126-157-11 |



Serial Numbers:

CDX-A30RF 118,901 and later have
been modified

RM-X1 12,786 and later have
been modified

Reference: CS-90004

PRINTED IN U.S.A.
CSA-144490-1

CSA-14 Compact Disc